

# Purchase Order



## UMBC Retriever Robotics 3D Printed Ornament Fundraiser

Thank you for supporting Retriever Robotics (RR) with our 3D Printed Ornament Fundraiser! Please be sure to fill out the form completely. Order pick up is on **Wednesday, December 17<sup>th</sup> and must be picked up in the library atrium between 10 and 12:30**. If there is a problem, please contact Retriever Robotics President Shelby Coppolino ([shelbyc1@umbc.edu](mailto:shelbyc1@umbc.edu)) to schedule another arrangement.

Cash and checks only. Checks must be made out to "UMBC Retriever Robotics".

Please make sure to fill out the sheet entirely.

Contact Information	
Name:	_____
Email:	_____
Phone Number:	_____
RR Contact:	_____

Order Details			
<i>3D Holiday Design</i>	<i>Price</i>	<i>Quantity</i>	<i>Price x Quantity</i>
Dog Tag	\$3		
Snowflake	\$5		
Paw Print	\$5		
Gear	\$5		
Snowman	\$7		
Tree	\$7		
Dreidel	\$7		
Total:			

UMBC Retriever Robotics presents our first annual:

# 3D Printed Ornament Fundraiser!

Join Retriever Robotics (RR) as we celebrate the holidays with our UMBC and robotics inspired ornaments! Each ornament was customized by an official RR member. All proceeds go towards our robotics competitions.

Sizes depend on shape. Most shapes fit within 3"x3"x3". Colors vary from pictures.

## Small [\$3]

Dog Tag



## Medium [\$5]

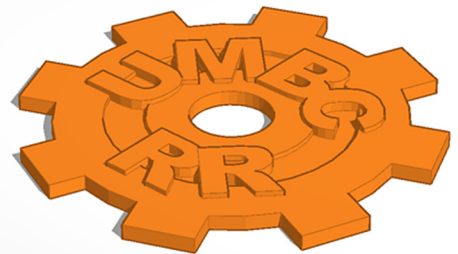
Snowflake



Paw Print

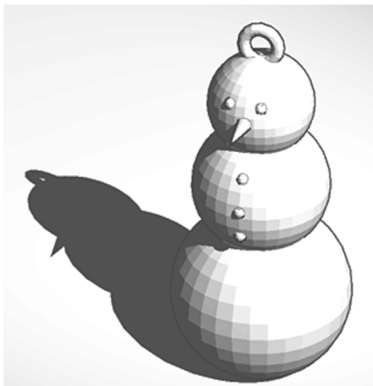


Gear

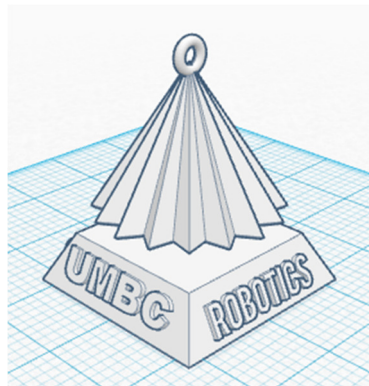


## Large [\$7]

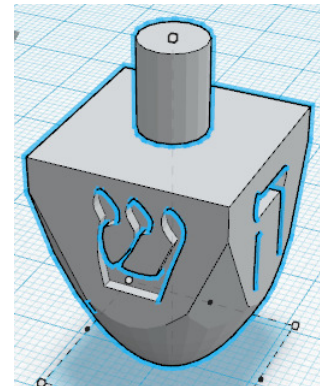
Snowman



Tree



Dreidel



Retriever Robotics (RR) is a UMBC intellectual sports organization. Our purpose is to form a community of people who love robotics and we do this by participating in robotics projects (including VEXU and RoboSub competitions), outreach, professional development, and member bonding. **Want to know about RR?** Contact President Shelby Coppolino ([shelbyc1@umbc.edu](mailto:shelbyc1@umbc.edu)) for more information!